

CHARLES BURNAND

LONDON • NEW YORK



## ELBA SCONCE

*BUR140*

Murano Glass, silver and 24 carat gold leaf, patinated brass

### Dimensions

Width 28 cm  
Depth 12 cm  
Height 70 cm  
Weight 15kg

*Custom finishes available on request*

CHARLES BURNAND

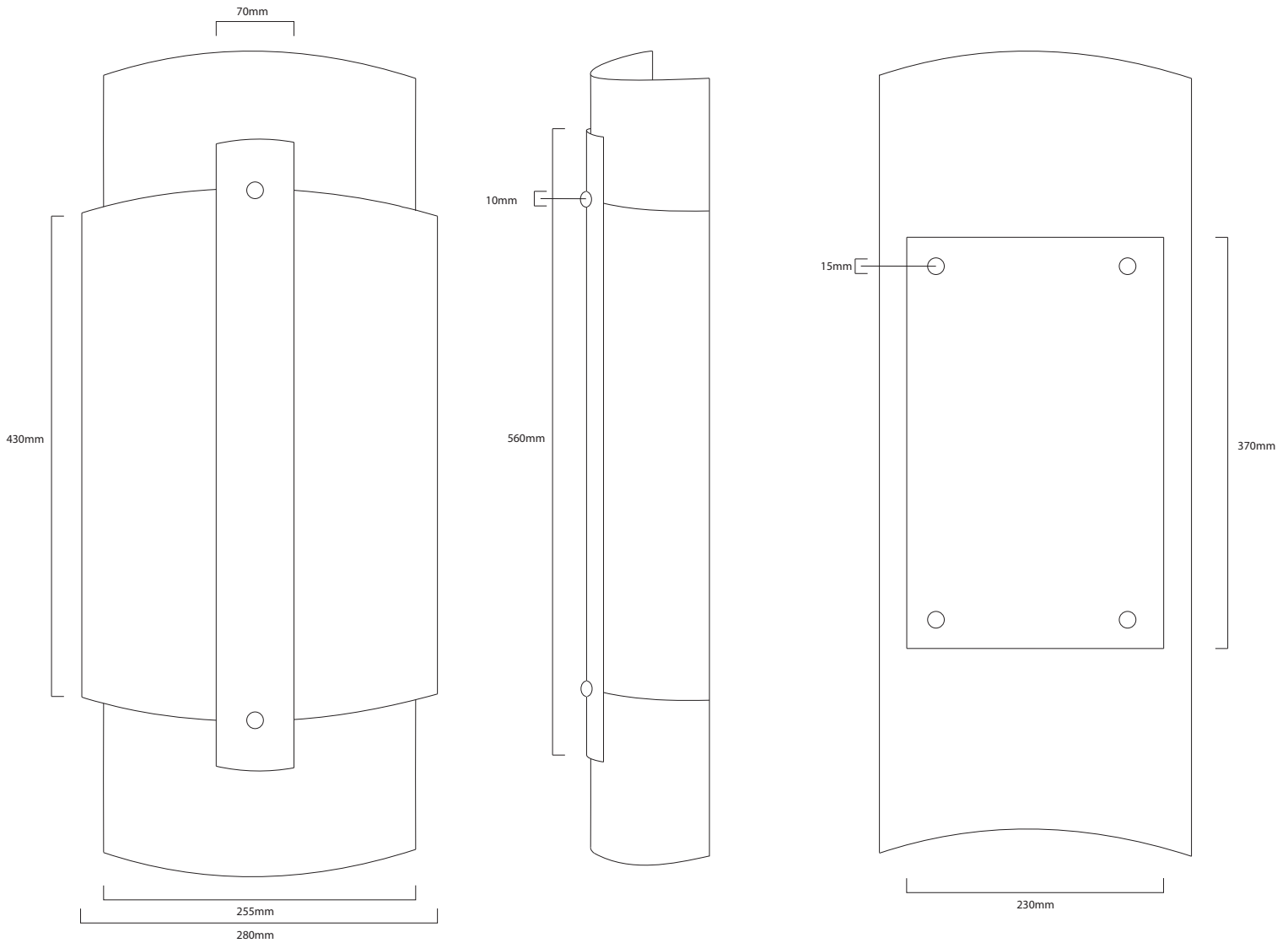
Tel: +44 (0)20 7993 4968. email: [info@charlesburnand.com](mailto:info@charlesburnand.com)  
[www.charlesburnand.com](http://www.charlesburnand.com)



CHARLES BURNAND

Tel: +44 (0)20 7993 4968. email: [info@charlesburnand.com](mailto:info@charlesburnand.com)  
[www.charlesburnand.com](http://www.charlesburnand.com)

# ELBA SCONCE



## TECHNICAL DETAILS

*BUR140*

Total Weight of Wall Light: 15kg

Light Bulb Recommended: E27, 3 Watt, LED

Light Bulb Quantity: 4

*Dimmer-switch and light bulbs must be compatible*

**CHARLES BURNAND**

Tel: +44 (0)20 7993 4968. email: [info@charlesburnand.com](mailto:info@charlesburnand.com)

[www.charlesburnand.com](http://www.charlesburnand.com)